

# Technical Datasheet

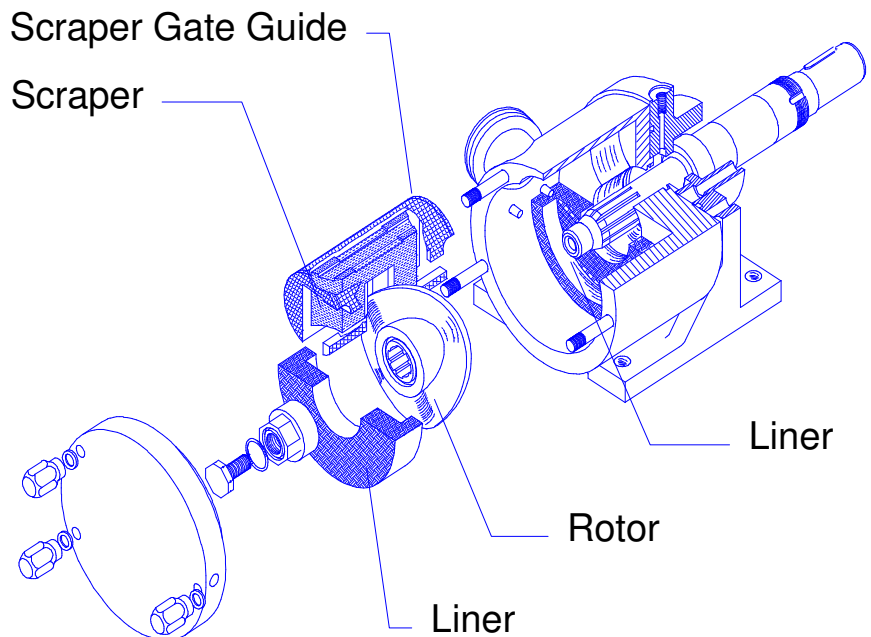
## MASO-SINE-PUMP SPS 2,5“



### **Operating Principle**

Minimal rotating parts ensure ease of maintenance and the sinusoidal shape of the rotor creates the „chambers“ for product movement. With every revolution of the pump the four „chambers“ massage the product through the pump with no mechanical stress.

The scraper divides the suction and pressure sides and also forms the seal. In addition, it forces CIP fluids into all areas of the housing to ensure complete cleaning. It should be noted that alternative materials for scrapers are available, to suit different applications.



### **Materials of Construction**

Rotor:	Stainless Steel / hardened / with titanium coating
Housing:	Stainless Steel
Scraper:	MASOTRONIC
Liners:	Stainless Steel / MASOTRONIC
O-Ring:	Buna, EPDM, VITON, TEFLON
Shaft:	Stainless Steel
Lip Seal:	Buna, PTFE, VITON
Bushing:	Cast Iron
Front Bushing	MASOTRONIC, Carbon

### **Seal Systems**

Single lip seal system  
Double lip seal system  
Triple lip seal system  
Single mechanical seal  
Double mechanical seal  
Seals on request

### **Connections**

German milk fitting DIN 11851  
Flange DIN 2633/2635  
Industrial thread  
Inch  
SMS  
TRI-Clamp  
RJT  
ANSI  
Special connection upon request

### **Heating - Cooling**

Heating or cooling for Housing  
Front cover heating or cooling  
Connections heating or cooling

### **Flushing of the seal**

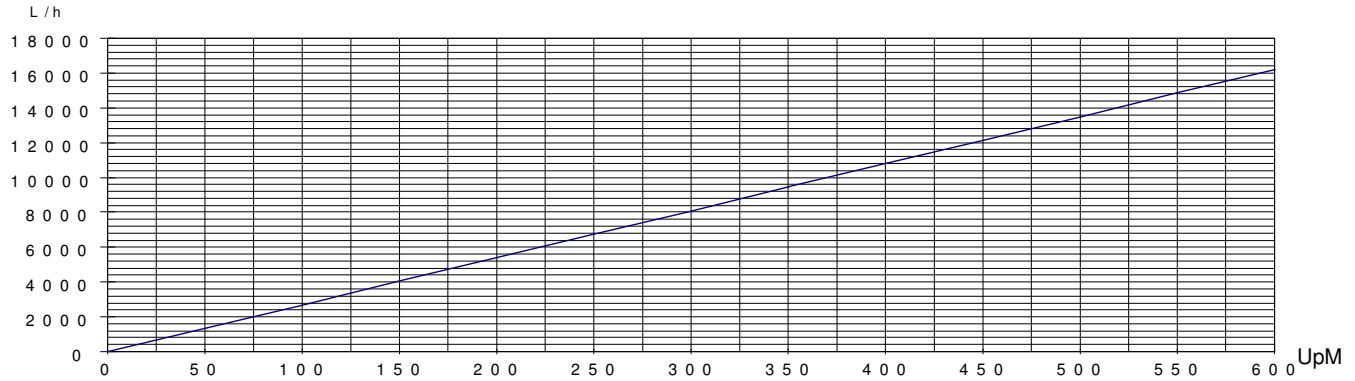
Dynamic flushing  
Static flushing

## Drives

Variable speed drives/elec. speed variation  
Helical gear motor  
Helical gear motor with frequency inverter  
Drives on request  
Without drives  
Explosion proofed drives

## Base plates

Tube style base plate (stainless steel) with adjustable feet and compensators  
Base plate with wheels and brakes  
Special construction upon request



**Speed**  
max. 600Upm

**Temperature**  
max. 140 °C  
(depending on specification)

**Suction**  
max. 0.9 bar

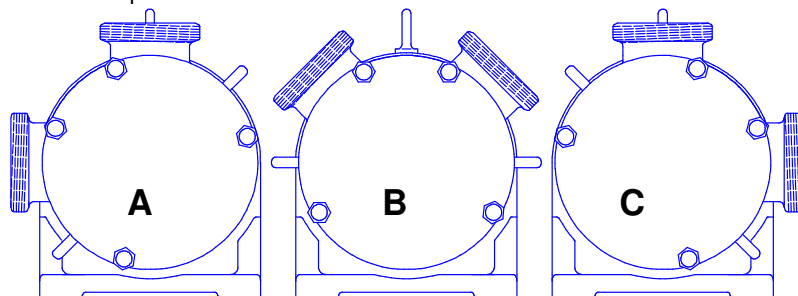
**Particle sizes**  
max. 25mm

**Capacity**  
0.45 Litre / revolution  
max. 17000L/h in continuous operation  
with water and 0 bar pressure

**Pressure**  
max. 15 bar

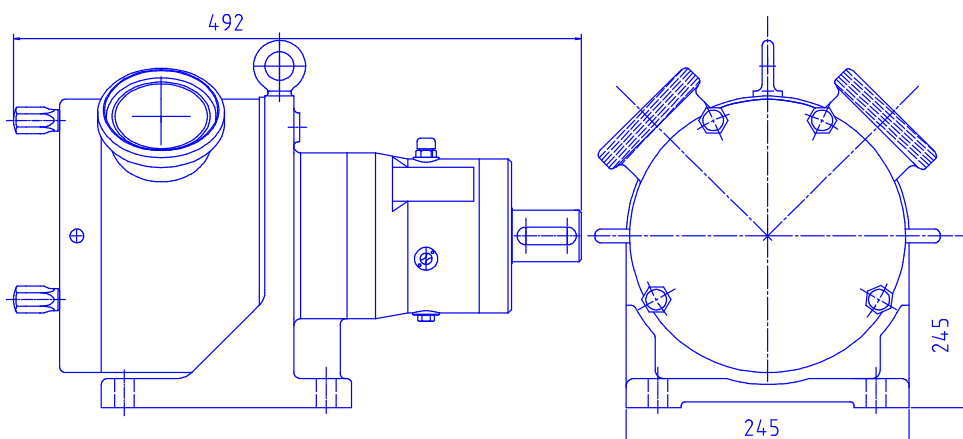
**Viscosity**  
over 1.000.000 CP

**CIP-Cleaning**  
fully suitable for CIP  
CIP-cleaning



**Possible connection positions**

**Weight**  
ca. 85 kg  
(without drive)



**Dimensions**

**If there are any questions, then please get in touch with us**

MASO Process-Pumpen GmbH • Steinbeisstr. 3 • 74360 Ilsfeld • Postfach 100

☎ ++7062 / 9560-0 • Fax ++7062 - 64593

**★ A German quality product ★**

(Changes without notice)